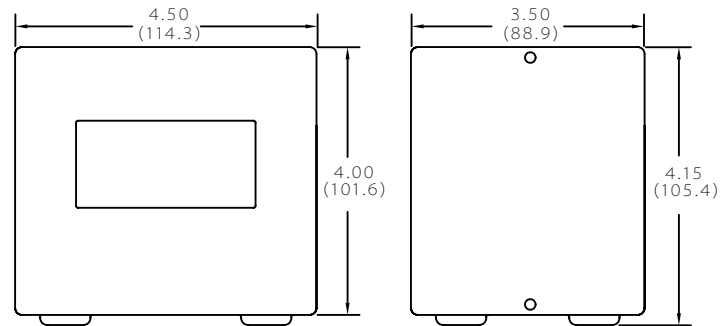
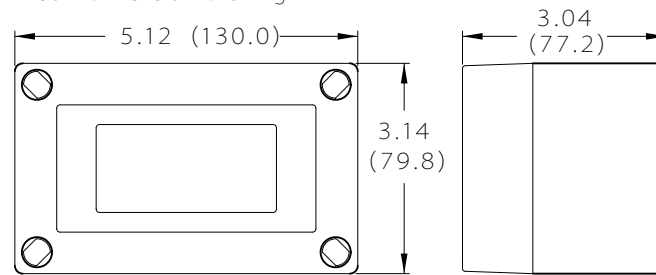


ENC8 Dimension Drawing



ENC8A Dimension Drawing



ENC8B Dimension Drawing

